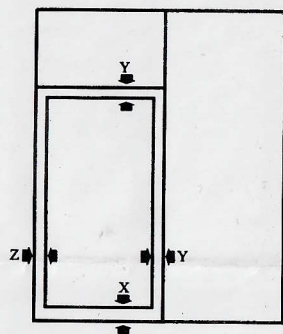


PFC060 Over & Side Panel Connector Installation Instruction

1. Functions:

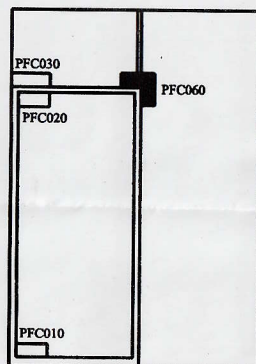
The patch fittings are hardware for glass door - a combination of decoration with function.

2. The chink size between door and doorframe is shown below:

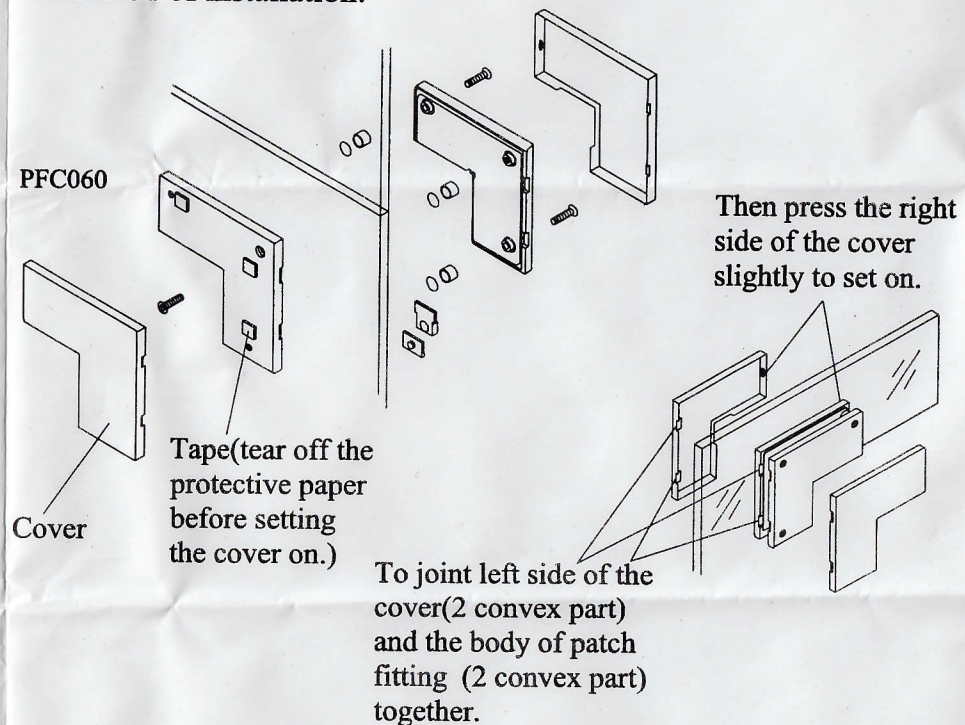


Dimensions
X=10~13mm
Y=2~4mm
Z=3~5mm

3. Place of installation:



4. Method of installation:



5. The size of glass door at the place of installation:

