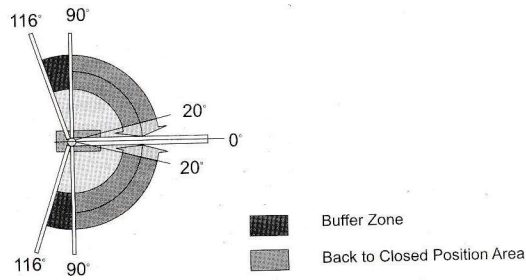


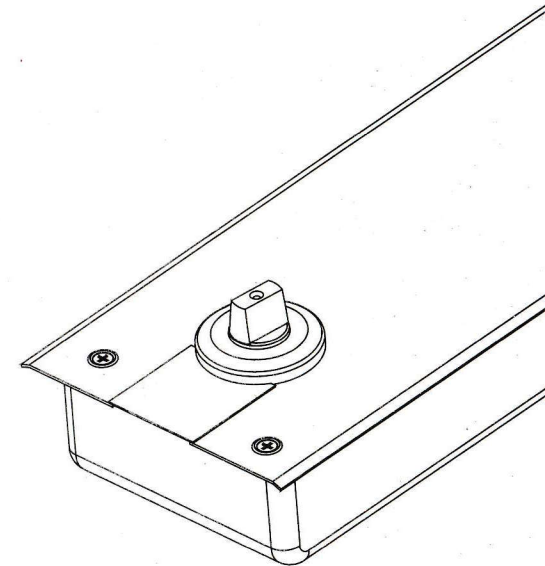


FLOOR HINGE

### Open Degree Indication



# H-555D



**StanleyBlack&Decker**

STANLEY GMT Hardware Co., Ltd.  
Website: [www.stanleygmt.com](http://www.stanleygmt.com)

Copyright STANLEY GMT Hardware Co., Ltd. Printed in China

**FLOOR HINGE** Installation Manual



## Dimensions for installation

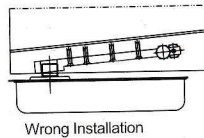
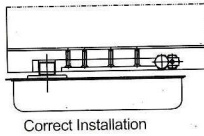
# H-555D

### FEATURE

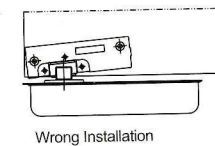
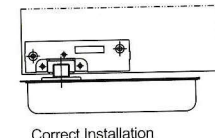
Center Hung,  
Double action with  
90° Stop-Device  
Max. Open Degree 116°

### Installation instructions

#### 1 Wooden or metal doors Installation

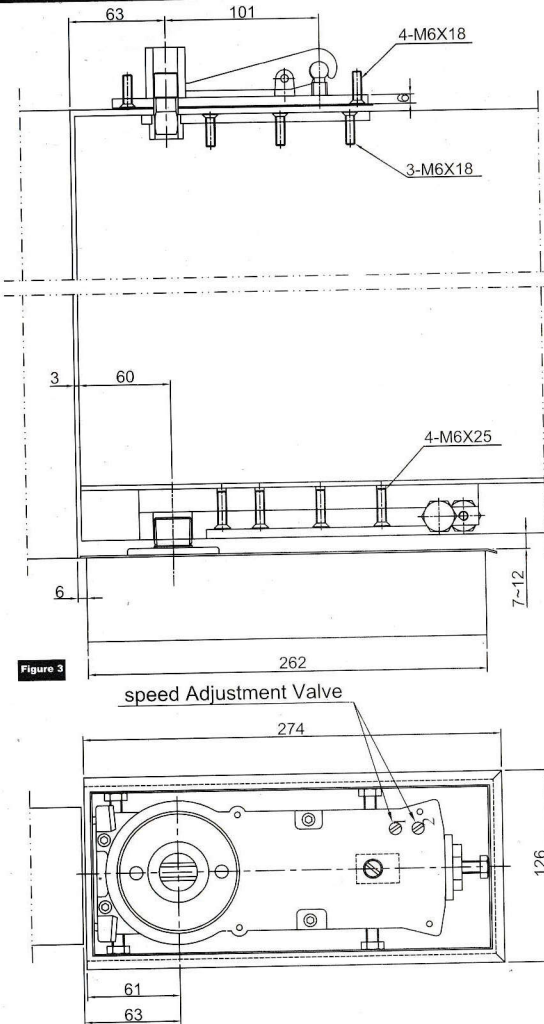


#### 2 Frameless Glass Door Installation



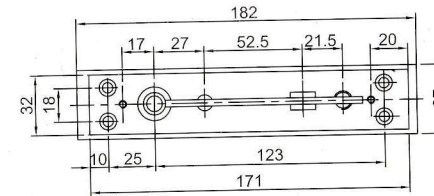
#### Notes:

Correct Installation:  
Door goes Smoothly and flexibly,  
no noise.  
Wrong Installation:  
Make the door noise when open  
or close it.

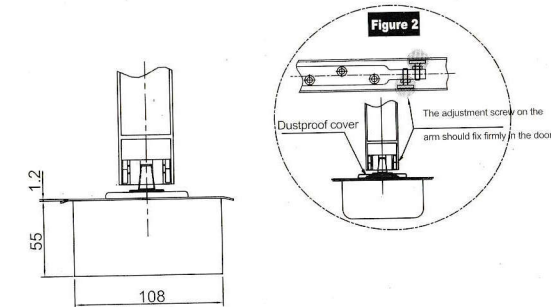
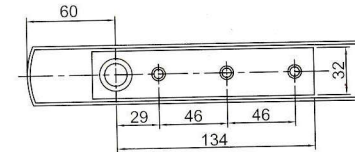


Model	Door Width (mm)	Max. Door Weight (kg)	Dimension (mm)
Light	600~850	80	262X108X55
Standard	800~1000	110	

#### Top pivot (Top jamb side)



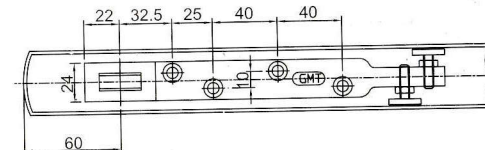
#### Top pivot (Door side)



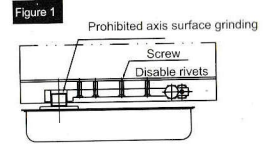
#### Notes:

- The speed has been regulated
- If you want to change the speed, first adjust closing speed adjustment valve 1, then adjust latching speed adjustment valve 2.

#### Bottom arm (Door side)



### Precautions for installation



1. Do NOT grind the inclined plane of spindle if the door is too big to fit in the door frame, or it will cause noise when used. (Figure1)

2. Do NOT use rivet to fasten the center arm. The company shall not be responsible for the consequences. (Figure1)

3. The adjustment screw on the arm should fix firmly in the door to make sure its center position, otherwise, the door will be shaken by the wrong position.

4. Do NOT remove the Dustproof cover on the spindle. The company shall not be responsible for the oil leakage or any other consequences. (Figure2)

5. Fasten the screws after correctly adjust the position of floor hinge. (Figure3)

6. Using the speed adjustment valve to adjust the closing speed after installed correctly, Clockwise - (Fast-Slow), Counterclockwise - (Slow-Fast). Do NOT close the door manually before set up completely, in case the damage of the door or floor hinge.

7. Door open degree larger than 116° is prohibited, in case cause the damage of the door or floor hinge.